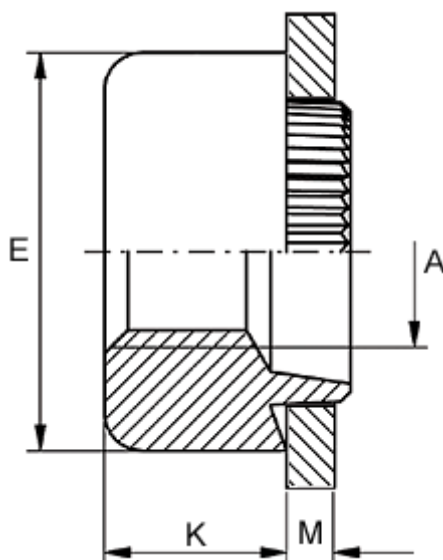


Article number: 12706000040100

Description: KLEE-coil 706 000 040.100  
M4 Unhardened

## Measures



Female thread A	= M4
Height K	= 4.0
Outer diameter E	= 10.0
Plate thickness	= 1.4 to 1.6
Recommended bore diameter for extreme load	= 7.0
Recommended bore diameter for normal use	= 7.0